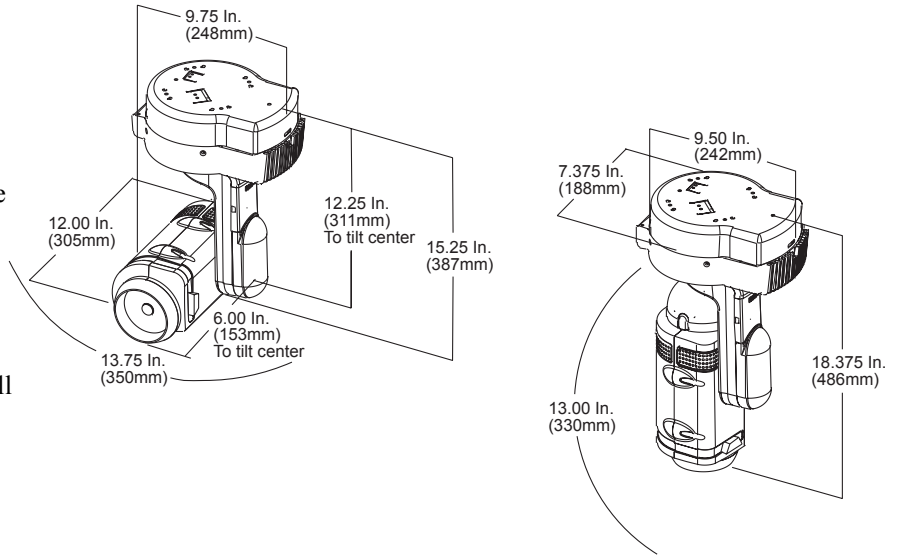


# Irideon® AR50™

## Interior Wash Luminaire Installation Instructions

The Irideon AR50 Interior Wash Luminaire may be mounted in either of two orientations (ceiling or floor). The installation location must provide an indoor non-condensing, low humidity environment. The luminaire should be securely mounted to a surface capable of supporting 8 lbs (3.6 kg). Firmly securing the luminaire in place will prevent “wobble” of the fixture during pan and tilt movements.



**Note:** AR50s must be installed with the base in a horizontal position. Failure to do so will shorten fixture life and violate warranty

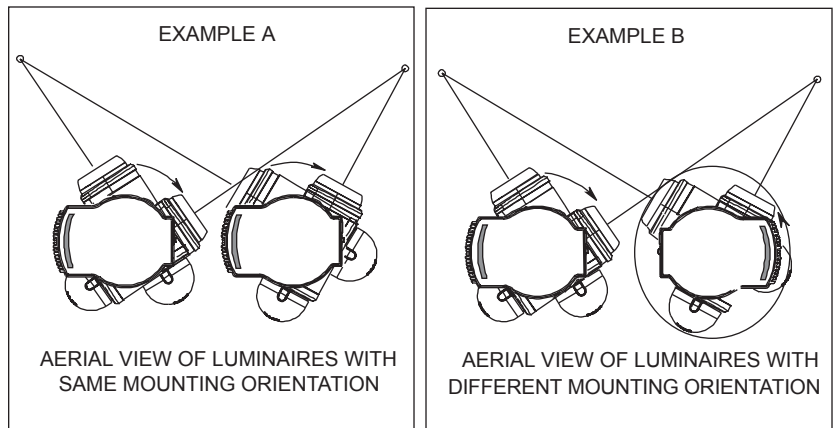
**Note:** The installation contractor is responsible for compliance with local electrical codes.

**Note:** Data and AC power are to be routed through separate conduit.

### Mounting

Note: A pan stop feature on the luminaire prevents continuous rotation. Therefore, it is recommended that luminaires be mounted with consistent orientation. Failure to do so may result in complicated programming instructions associated with directing movement of multiple luminaires simultaneously.

As shown in example A, consistent mounting orientation provides for smooth transition of multiple luminaires from one preset to the next. Example B shows different transition paths.



### AC wiring

The luminaire requires a single-phase, two wire plus ground branch circuit. Multiple luminaires may be fed from a single branch circuit. The AC terminal block on the luminaire has a wire size range of #18 AWG to #10 AWG. AR50 power requirements are as follows (with lamp on and all stepper motors running):

100V @ 0.85A      240V @ 0.38A  
120V @ 0.7A

WIRE	CONNECTION
BLACK * (BROWN)	AC LINE
WHITE * (BLUE)	AC NEUTRAL
GREEN or bare * (GRN/YEL)	GROUND

\* International (Harmonized) Standard

# Top entry version

When installing luminaires of the top entry version, Irideon J-Boxes are required. The sequence for installation is to install and pre-wire the J-Boxes, making sure to observe proper orientation of the boxes. Next, install and connect the Irideon mounting plate. The final step is to install and connect the luminaire itself.

## To install top entry version:

**Step 1.** Install all J-Boxes with arrows pointing in consistent direction unless otherwise directed by architectural/ construction or lighting designer specifications.

**Step 2.** Connect both AC and data wiring into Irideon J-Box isolating AC from data lines. Strip wires approximately 3/8" and secure in terminal blocks on mounting plate. Data lines should be joined in a "daisy-chain" configuration within the data terminal block to provide data throughout the data run. Sleeve Drain wire to protect from AC ground. Termination resistors are required across + and - data lines at final luminaire in a data run.

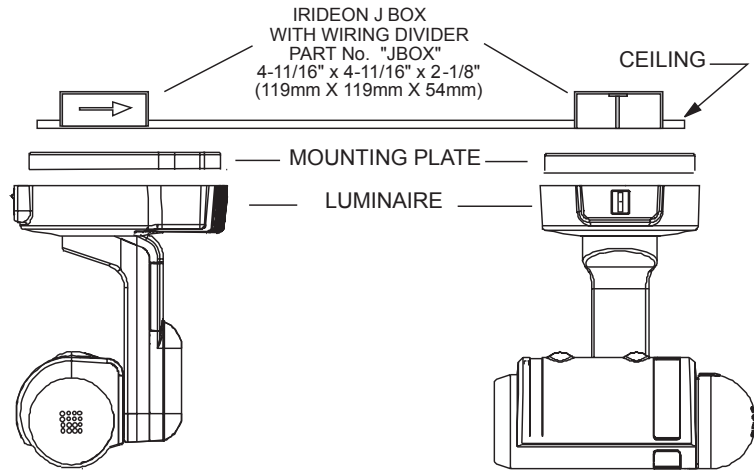
**Step 3.** Align mounting plate holes with junction box and firmly attach with appropriate screws.

**Step 4.** Extend the J-hook on the upper enclosure and attach to slot on mounting plate. This will suspend the luminaire without placing physical strain on electrical wiring while completing terminal connections.

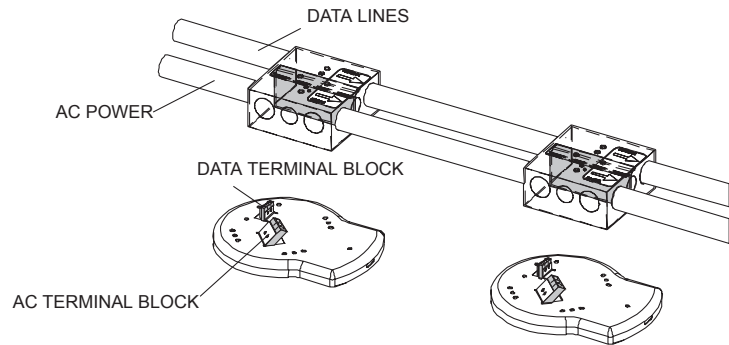
**Step 5.** Connect AC wiring from luminaire to lower portions of terminal block.

**Step 6.** Data connection from luminaire is made via a two-part terminal block. The lower portion is supplied with the luminaire. Simply plug the two halves together. Lug screws on halves should face same direction when properly aligned.

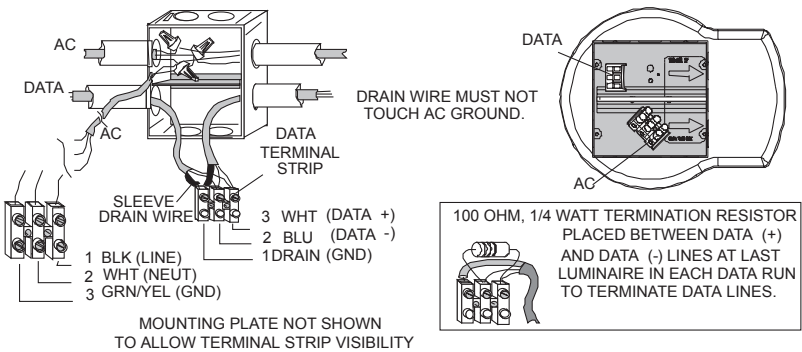
**Step 7.** Lift luminaire into position over mounting plate and secure in place with the four 8-32 X 1/2" PFZ screws provided.



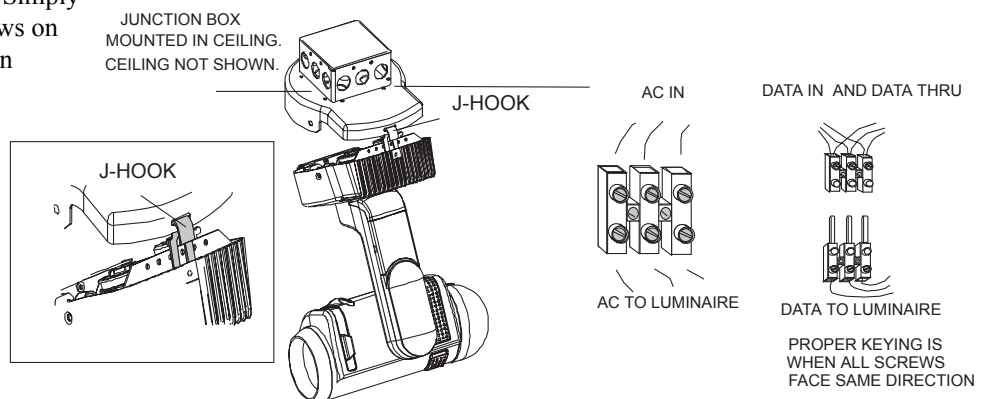
### Step 1



### Steps 2 & 3



### Steps 4, 5 & 6



## Connector version

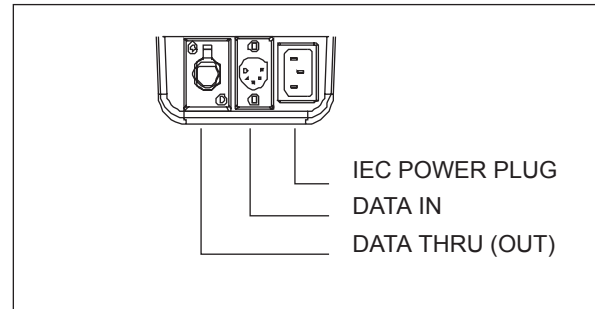
The connector version is designed for portable use. This luminaire features an IEC connector for AC power and XLR connectors (one male, one female) for Data In and Data Thru (out).

The connector version is shipped with the C-clamps that attach to the mounting plate. Rubber feet are available as an optional accessory for table-top use.

Refer to the pin/wire code below for cable pinouts.

If a luminaire must be temporarily removed from a data run, unplug the Data In and Data Thru cables from the unit and join the male and female connectors together to allow continued data flow to remaining luminaires.

Termination resistors are required across + & - data lines at final luminaire in a data run.



A 100 ohm 1/4 watt termination resistor must be mounted in a 5-pin male XLR connector and inserted into the DATA THRU connector at the last luminaire in each data run to terminate DATA (+) and (DATA (-) lines together.

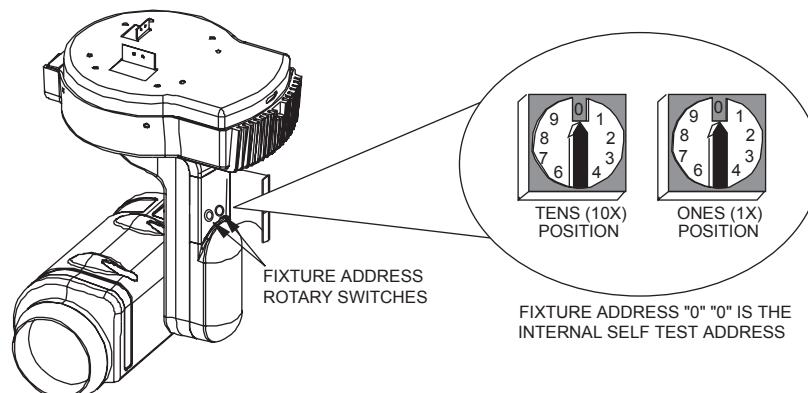
PIN/WIRE CODE TO XLR CONNECTORS				
DATA THRU CABLE PINOUT	PIN 1	PIN 2	PIN 3	DATA IN CABLE PINOUT
 MALE CONNECTOR	DRAIN	DATA (-)	DATA (+)	 FEMALE CONNECTOR

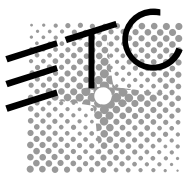
## Power Up

When power is applied, the arc lamp will “strike” or ignite and the luminaire will illuminate. The luminaire will immediately begin a calibration sequence that steps it through full pan and tilt movements. The internal color changing mechanisms will also be exercised to fully open and fully closed positions. After calibration, the luminaire will come to its home position away from the luminaire upper enclosure. All color changing mechanisms, douser and diffuser will be in full open position so that light the light beam is open white.

## Luminaire Address Location:

Each luminaire must have its own unique address in order to receive programmed instructions. The lighting designer or programmer should have a list of proper address settings. The luminaire self-test position is address “0” “0”. Refer to the AR50 Luminaire Owner’s Manual for a detailed description of the self-test operation.





Americas • 3030 Laura Lane • Middleton, Wisconsin • Tel: (+1) 608.831.4116 • Fax: (+1) 608.836.1736 • Toll free: 800.688.4116 • Toll free fax: 800.555.8912  
Europe • 5 Victoria Industrial Estate, Victoria Road • London, W3 6UU, England • Tel: +44 (0)20 8896 1000 • Fax: +44 (0)20 8896 2000  
Asia • Room 605-606, Tower III, Enterprise Square, 9 Sheung Yuet Road, Kowloon Bay • Kowloon, Hong Kong • Tel: (+852) 2799 1220 • Fax: (+852) 2799 9325  
International • 3030 Laura Lane • Middleton, Wisconsin • Tel: (+1) 608.831.4116 • Fax: (+1) 608.836.1736 • Toll free: 800.688.4116 • Toll free fax: 800.555.8912  
Web: [www.etconnect.com](http://www.etconnect.com) • Email: [mail@etconnect.com](mailto:mail@etconnect.com)

Copyright © 2000 Electronic Theatre Controls, Inc., All Right Reserved. All product information and specifications subject to change. 7092M1008 Rev. A Printed in USA 09/00



**IRIDEON**<sup>™</sup>  
Building With Light