

**SPECIFICATIONS**

**Ellipsoidal lighting fixture**

- PHYSICAL** Die cast aluminum construction  
 Rotating shutter assembly ± 25°  
 20 gauge stainless steel shutters in a tri-plane assembly  
 Interchangeable lens tubes with smooth-running teflon guides provide six user selectable field angle options  
 Thermally insulated rear handle  
 High impact, thermally insulated knobs and shutter handles  
 Two accessory slots, and a top mounted, gel frame retainer  
 Steel yoke with two mounting positions  
 Positive locking double-clutch fixture body  
 Slot for glass or stainless steel patterns  
 Slot with sliding cover for motorized pattern devices or optional iris  
 UL and cUL listed
- ELECTRICAL** 115-240V, 50/60Hz  
 High temperature 3-conductor 36" leads in a glass fiber outer sleeve  
 Supports ETC Dimmer Doubling™ technology
- LAMP** 750W maximum  
 HPL — compact tungsten filament contained in a krypton-filled quartz envelope (see table for suitable lamp types)  
 Patented filament geometry provides extremely efficient light collection and transmission  
 Integral die cast aluminum heat sink lamp base
- OPTICAL** Plastic fresnel lens  
 Faceted borosilicate reflector with multi-layer dichroic coating  
 95% of visible light reflected through the optical train  
 90% of infrared radiation (heat) passes through the reflector  
 Reflector secured with anti-vibration shock mounts  
 Lens(es) secured with anti-vibration shock mounts  
 Tool free lamp centering (X/Y) and peak/flat (Z) adjustment knobs  
 Positive locking X, Y and Z adjustments, unaffected by relamping  
 Beam edge continually adjustable hard-to-soft  
 Interchangeable lens barrels permit selection of 5°, 10°, 19°, 26°, 36°, and 50° field angles

**ORDERING INFORMATION**

**Source Four**

Model#	Description
405	5° ellipsoidal (black)
405-1	5° ellipsoidal (white)

ETC Source Fours are supplied with C-clamp, color frame and 3' (96cm) leads as standard

**Connector Designation**

Use Suffixes below to specify Factory-Fitted Connector type

Model#	Description
A	Parallel-blade U-ground connector
B	Two-pin and ground, 20 amp connector
C	Grounded, 20 amp, twistlock connector
M	Dimmer Doubling™ Connector (NEMA L515P)

**Source Four Accessories**

Model#	Description
405LT	5° lens tube with lens installed (black)
405LT-1	5° lens tube with lens installed (white)
400CC	C-clamp (included)
400PH-A	Pattern holder (A size)
400PH-B	Pattern holder (B size)
400PH-G	Glass pattern holder
400SC	Safety cable
400RS	Drop-in iris
405CF	Colorframe for 5° (14") (included)
405DN	Donut for 5° (14")
405TH	Top hat
405FB	Source Four Fixture Body, Double Clutch

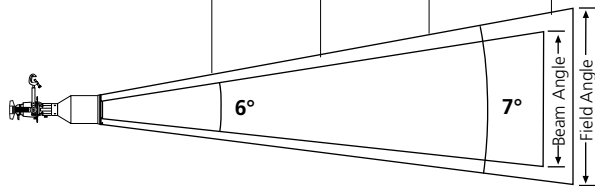


### PHOTOMETRICS

All photometric data in this document was prepared using standard production fixtures, and the Prometric™ CCD measurement system. Fixtures were adjusted for cosine distribution, and were tested with a calibrated HPL 750/115V 21,900 lumens lamp at its rated voltage. All data were normalized to nominal lamp lumens.

#### 5°

Distance (ft)	105	125	145	165
Field Diameter (ft)	12.6	15.0	17.4	19.8
Illumination (fc)	124	88	65	50



For illumination with any lamp, multiply the candlepower of a beam spread by the multiplying factor (mf) shown for that lamp.

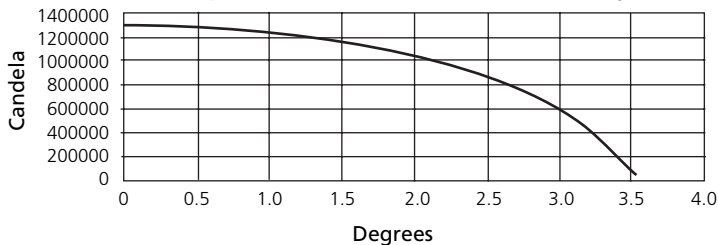
To determine illumination in footcandles or lux at any throw distance, divide candlepower by distance squared.

For Field diameter at any distance, multiply distance by .12

For Beam diameter at any distance, multiply distance by .11

**Metric Conversions:** For Meters multiply feet by .3048  
For Lux multiply footcandles by 10.76

**Candlepower Distribution Curve (cosine adjusted)**



#### Source Four 5° (cosine)

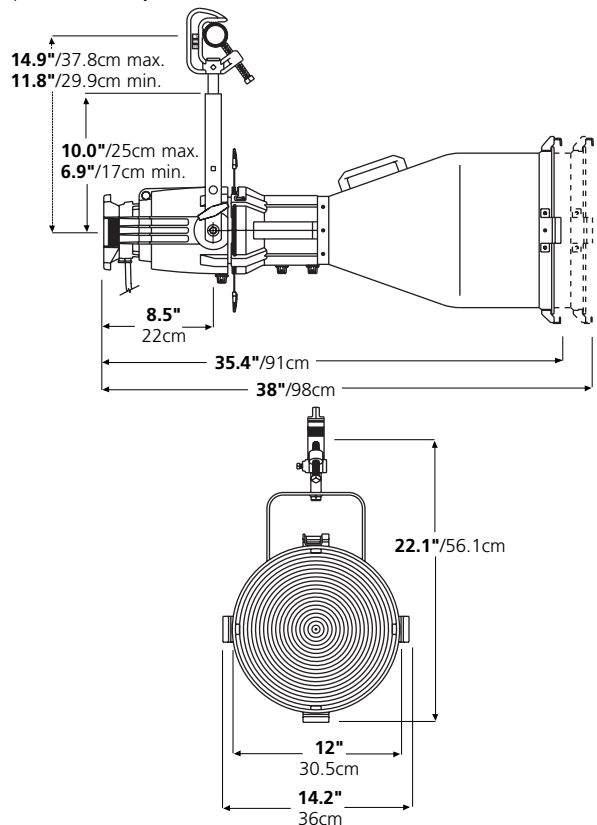
Degree	Candlepower	Field Lumens	Beam Lumens	Efficiency
5°	1,370,000	9,770	8,530	44.6%

### PHYSICAL

Lamp code	Watts	Volts	Initial Lumens	Color Temp.	Average Rated Life	MF
HPL 750/115	750	115	21,900	3,250°	300	1.00
HPL 575/115	575	115	16,520	3,250°	300	0.87
HPL 575/115X	575	115	12,360	3,050°	2000	0.66
HPL 575/120	575	120	16,460	3,250°	300	0.87
HPL 375/115	375	115	10,540	3,200°	300	0.55
HPL 375/115X	375	115	8,060	3,000°	1000	0.43
HPL 550/77*	550	77	16,170	3,250°	300	0.87
HPL 550/77X*	550	77	12,160	3,050°	2000	0.66
HPL 750/230	750	230	19,400	3,200°	300	0.90
HPL 750/240	750	240	19,400	3,200°	300	0.90
HPL 575/230	575	230	14,900	3,200°	400	0.76
HPL 575/240	575	240	14,900	3,200°	400	0.76
HPL 575/230X	575	230	11,780	3,050°	1500	0.61
HPL 575/240X	575	240	11,780	3,050°	1500	0.64
HPL 375/230X	375	230	7,800	3,050°	1000	0.38
HPL 375/240X	375	240	7,800	3,050°	1000	0.38

\*77V lamps are intended for use with the ETC Dimmer Doubler™.

**Warning:** Use of lamps other than HPL will void UL/cUL safety approval and product warranty. Source Four is rated for 750W maximum.



#### Source Four Weights

Model	Fixture Weight*		Shipping Weight	
	lbs	kgs	lbs	kgs
5°	19.2	8.7	29.4	13.3

\* Add 2.3 lbs for C-clamp



**Corporate Headquarters** ■ 3031 Pleasant View Rd, PO Box 620979, Middleton WI 53562 0979 USA ■ Tel +1 608 831 4116 ■ Fax +1 608 836 1736

**London, UK** ■ Unit 26-28, Victoria Industrial Estate, Victoria Road, London W3 6UU, UK ■ Tel +44 (0)20 8896 1000 ■ Fax +44 (0)20 8896 2000

**Rome, IT** ■ Via Ennio Quirino Visconti, 11, 00193 Rome, Italy ■ Tel +39 (06) 32 111 683 ■ Fax +39 (06) 32 656 990

**Holzkirchen, DE** ■ Ohmstrasse 3, 83607 Holzkirchen, Germany ■ Tel +49 (80 24) 47 00-0 ■ Fax +49 (80 24) 47 00-3 00

**Hong Kong** ■ Room 605-606, Tower III Enterprise Square, 9 Sheung Yuet Road, Kowloon Bay, Kowloon, Hong Kong ■ Tel +852 2799 1220 ■ Fax +852 2799 9325

**Web** ■ www.etcconnect.com ■ Copyright © 2006 ETC. All Rights Reserved. All product information and specifications subject to change. 7060L1005 Rev. E Printed in USA 07/06

Source Four® products protected by U.S. Patent Numbers 5,268,613, 5,345,371, 5,544,029, 5,446,637 and 5,775,799; Japanese Patent Number 2,501,772; US and International Patents Pending.