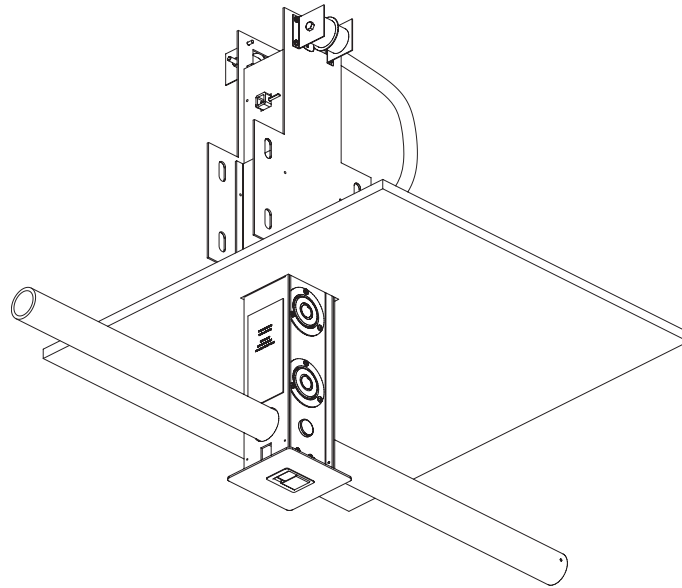




120V

Distribution Series



GENERAL INFORMATION

A non-obtrusive, retractable hanging/plugging device for architectural surroundings.

APPLICATIONS

- Convention Centers
- Hotel Ballrooms
- Large Meeting Rooms

FEATURES

- Non-obtrusive, retractable device
- Rated for up to 1000 pounds
- Two-position mechanism - stored, working
- All wiring housed inside
- Simple ceiling plate with finger-operated latch
- UL and cUL Listed
- Receptacle configurations:
 - 4 - Edison,
 - 4 - Stage pin
 - 4 - Twist-Lock®
- A DMX receptacle can replace any one power connector

ORDERING INFORMATION

Retractable Lighting Position

MODEL	DESCRIPTION
RLP-A	4 - 20A Parallel Blade (Edison) connectors
RLP-B	4 - 20A Stage Pin connectors
RLP-C	4 - 20A Twist-Lock connectors
RLP-AX	3 - 20A Parallel Blade (Edison) and 1 DMX connector
RLP-BX	3 - 20A Stage Pin connectors and 1 DMX connector
RLP-CX	3 - 20A Twist-Lock connectors and 1 DMX connector



SPECIFICATIONS

GENERAL

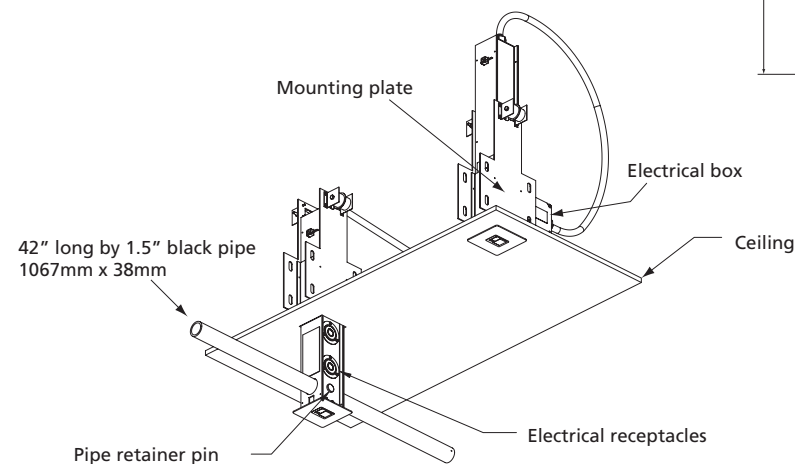
- Designed to hang and power standard theatrical lighting fixtures
- UL and cUL LISTED

ELECTRICAL

- Receptacles wired through flexible conduit to a terminal box on fixed upper section of device
- 4 panel mount outlets on sliding section, connector options include:
 - 20A Parallel Blade (Edison NEMA 5-20R)
 - 20A Stage Pin
 - 20A Twist-Lock (NEMA L5-20R)
- Low Voltage Connector Option – in place of one power connector:
 - 5-Pin XLR connector for DMX

MECHANICAL

- 11-gauge steel construction
- Fine-textured, scratch resistant white powder-coat paint
- Standard 5" sq. white ceiling plate with latch
- Supports up to 1000 pounds direct pull from center and up to 300 pounds from any point on the pipe
- Installation mounting hardware for permanent support-connection to structure required by others
- Finger operated latching mechanism holds sliding device in place above ceiling
- Spring loaded system prevents rapid descent
- 26" clearance required for RLP in stored position (Ceiling to top of unit)
- 16" drop from ceiling to ceiling plate in working position (Ceiling to bottom of unit)
- 42" Schedule 40 1-1/2" black pipe included



PHYSICAL

RLP Shipping Box Dimensions

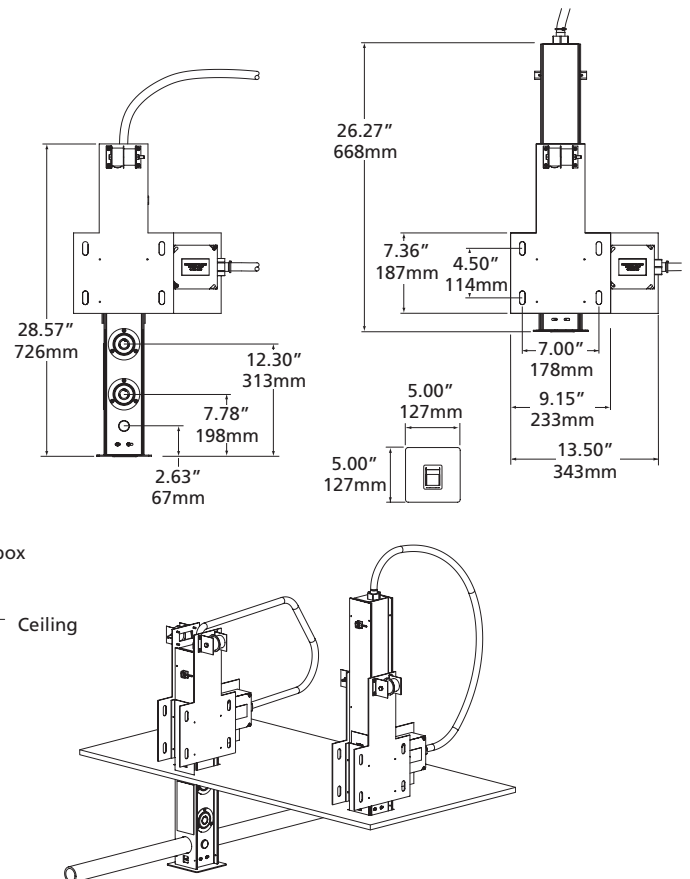
MODEL	HEIGHT		WIDTH		DEPTH	
	inches	mm	inches	mm	inches	mm
RLP	16.25	431	12.5	318	44	1118

RLP Weights

MODEL	WEIGHT		SHIPPING WEIGHT	
	lbs	kgs	lbs	kgs
RLP	28.5	12.8	33.5	15.2
Pipe	9	4.1	9	4.1
Total weights			42.5	19.3

Installation Note

NEC requires service access to all junction boxes. The point of connection between the RLP and permanent building wiring is considered a junction box. The design of ceiling panels or above-ceiling access should consider this requirement.



Corporate Headquarters • 3031 Pleasant View Rd, PO Box 620979, Middleton WI 53562 0979 USA • Tel +1 608 831 4116 • Fax +1 608 836 1736
London, UK • Unit 26-28, Victoria Industrial Estate, Victoria Road, London W3 6UU, UK • Tel +44 (0)20 8896 1000 • Fax +44 (0)20 8896 2000

Rome, IT • Via Ennio Quirino Visconti, 11, 00193 Rome, Italy • Tel +39 (06) 32 111 683 • Fax +44 (0) 20 8752 8486

Holzkirchen, DE • Ohmstrasse 3, 83607 Holzkirchen, Germany • Tel +49 (80 24) 47 00-0 • Fax +49 (80 24) 47 00-3 00

Hong Kong • Room 1801, 18/F, Tower 1 Phase 1, Enterprise Square, 9 Sheung Yuet Road, Kowloon Bay, Kowloon, Hong Kong • Tel +852 2799 1220 • Fax +852 2799 9325

Web • www.etcconnect.com • Copyright©2008 ETC. All Rights Reserved. All product information and specifications subject to change. 7099L1005 Rev. F Printed in USA 09/08