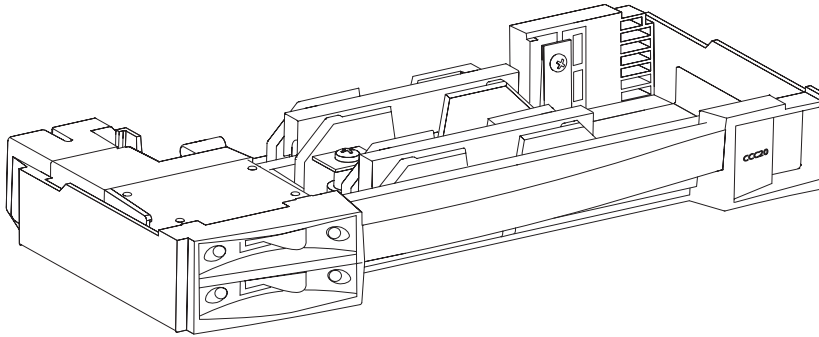




100V 120V



### GENERAL INFORMATION

The Constant Current Module is a dual, plug-in assembly for use in both Sensor+ and Unison Dimming Series modular dimmer rack enclosures. The Constant Current module distributes power with overcurrent protection from the dimmer rack enclosure to non-dimmed loads, typically motors, backup and emergency systems or auxiliary power distribution panels.

#### APPLICATIONS

- Devices requiring constant current power
- Motors
- Backup and Emergency systems
- Auxiliary power distribution panels

#### FEATURES

- Two circuits per module
- Does not respond to control signals
- High-density modular assembly
- Die-cast aluminum chassis
- Fully magnetic circuit breakers

#### GENERAL

- 100,000A Short Circuit Current Rating (SCCR)
- UL and cUL LISTED

### ORDERING INFORMATION

#### 100-120 Volt Constant Current Modules

MODEL	DESCRIPTION
CC15	Dual 15A Constant Current Module
CC20	Dual 20A Constant Current Module

#### Compatible Systems

MODEL	DESCRIPTION
<b>SENSOR+ INSTALLATION RACKS</b>	
SR6+	Sensor+ 6 module rack
SR12+	Sensor+ 12 module rack
SR24+	Sensor+ 24 module rack
SR48+	Sensor+ 48 module rack
SR6AF+	Sensor+ 6 module Advanced Features rack
SR12AF+	Sensor+ 12 module Advanced Features rack
SR24AF+	Sensor+ 24 module Advanced Features rack
SR48AF+	Sensor+ 48 module Advanced Features rack
SRAFN+	Sensor+ GFCI racks
<b>SENSOR+ TOURING RACKS</b>	
SP4820+	Sensor+ 24 module Touring Rack (48-20A dimmers)
SP9620+	Sensor+ 48 module Touring Rack (96-20A dimmers)
<b>SENSOR+ PORTABLE PACKS</b>	
SP1220+	Sensor+ 6 module Portable Pack (12-20A dimmers)
SP1215+	Sensor+ 6 module Portable Pack (12-15A dimmers)
SP2420+	Sensor+ 12 module Portable Pack (24-20A dimmers)
SP2415+	Sensor+ 12 module Portable Pack (24-15A dimmers)



## SPECIFICATIONS

## GENERAL

- UL and cUL Listed for continuous duty at 100% of rated load
  - CC15 – 1.8kW
  - CC20 – 2.4kW
- Does not respond to control signals

## PHYSICAL

- Modular plug-in assemblies
- Cast aluminum chassis, finished with textured epoxy paint
- Keyed to prevent insertion in inappropriately rated rack positions

## CIRCUIT BREAKERS

- Fully magnetic to eliminate nuisance tripping
- 20x inrush current rating
- 125%, 10-120 seconds, must-trip rating
- Rated for 100% switching duty applications

## RATINGS

- 100,000A Short Circuit Current Rating (SCCR)
- Replaceable fuse for short circuit protection and fault current coordination
- UL and cUL LISTED

## EFFICIENCY

- Efficiency is >99%

## PHYSICAL

## Module Dimensions

MODEL	HEIGHT		WIDTH		DEPTH	
	inches	mm	inches	mm	inches	mm
CC15	1.5	38	11.8	300	4.9	127
CC20	1.5	38	11.8	300	4.9	127

## Module Weights

MODEL	WEIGHT		SHIPPING WEIGHT	
	lbs	kgs	lbs	kgs
CC15	2.1	1.1	4.0	1.8
CC20	2.2	1.1	4.0	1.8

## Maximum BTU Production per module

MODEL	BTUS	WATTS	EFFICIENCY
CC15/CC20	<10	<4	>99.0%

These values should be provided to a qualified HVAC design engineer, along with dimmer quantities, types and dimmer room dimensions, to calculate dimmer room air handling requirements.

Dimmer room HVAC systems must at all times maintain the specified ambient temperature **at the dimmer rack**. Dimming systems operating within 10°F of the upper or lower temperature limits must strictly follow installation and operation guidelines to operate reliably.



**Corporate Headquarters** • 3031 Pleasant View Rd, PO Box 620979, Middleton WI 53562 0979 USA • Tel +1 608 831 4116 • Fax +1 608 836 1736

**London, UK** • Unit 26-28, Victoria Industrial Estate, Victoria Road, London W3 6UU, UK • Tel +44 (0)20 8896 1000 • Fax +44 (0)20 8896 2000

**Rome, IT** • Via Ennio Quirino Visconti, 11, 00193 Rome, Italy • Tel +39 (06) 32 111 683 • Fax +44 (0) 20 8752 8486

**Holzkirchen, DE** • Ohmstrasse 3, 83607 Holzkirchen, Germany • Tel +49 (80 24) 47 00-0 • Fax +49 (80 24) 47 00-3 00

**Hong Kong** • Room 1801, 18/F, Tower 1 Phase 1, Enterprise Square, 9 Sheung Yuet Road, Kowloon Bay, Kowloon, Hong Kong • Tel +852 2799 1220 • Fax +852 2799 9325

**Web** • www.etconnect.com • Copyright©2008 ETC. All Rights Reserved. All product information and specifications subject to change. 7050L1018 Rev. D Printed in USA 10/08

Sensor® products protected by one or more of the following U.S. Patent Numbers 5,323,088, 5,352,088, 7,233,112, 7,019,469, 6,849,943, and 6,002,563; European Number 0603333; German 69203609.