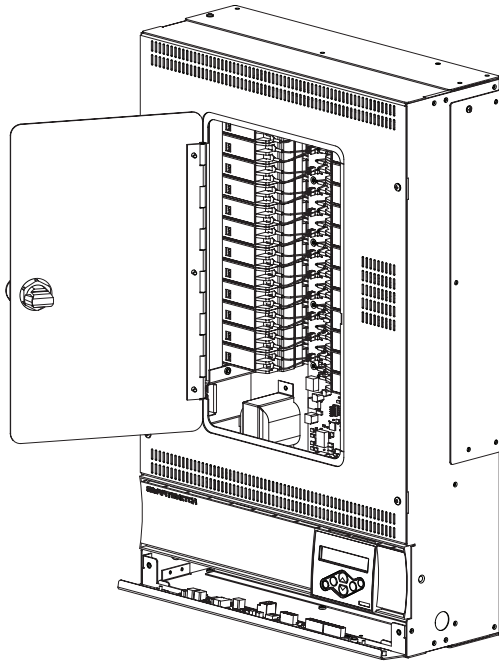




115/120V 277V

Smart Solutions™ Series



GENERAL INFORMATION

Controlling switched circuits is as simple as SmartSwitch, ETC's relay panel. SmartSwitch can be operated stand alone, with SmartLink®, or DMX-controlled from another source. Designed to combine with matching SmartPack® Wall Mount dimming, SmartSwitch completes a budget-oriented control system.

SmartSwitch comes standard with SmartLink control. When used with the optional LinkPower Supply, the system allows up to four SmartLink Stations to be connected for remote operation of presets and sequences.

APPLICATIONS

- Ballrooms and Restaurants
- Churches
- Small performance spaces
- Multi-purpose rooms
- Entertainment facilities with DMX control

FEATURES

- SmartLink, DMX-512 or Stand-Alone Control
- Advanced DMX control of relays
- 32 built-in presets and a single sequence
- Up to 24 Panasonic relays per panel
- Switches relays all at once or variable delay
- Mechanically latching relays
- Single-space, single or double pole relays
- 120V to 277V switching and control input
- 20-amp rated contacts switch with no derating
- Manual ON/OFF lever with indicator on relay
- Relays can be added in the field
- Voltage barrier for discrete relay power feeds
- Optional LinkPower Supply for stations
- UL-924 listed emergency contact input
- Rugged steel wallmount enclosure
- Common programming with SmartPack
- Full compliance with UL, cUL, and FCC regulations

ORDERING INFORMATION

Standard SmartSwitch Relay Units

MODEL	DESCRIPTION
SS-121P-LPS	SmartSwitch 12 – 20A Single Pole Relays with LinkPower Supply
SS-121P	SmartSwitch 12 – 20A Single Pole Relays
SS-242P-LPS	SmartSwitch 24 – 20A Double Pole Relays with LinkPower Supply
SS-242P	SmartSwitch 24 – 20A Double Pole Relays

Non-Standard Model Numbering

	QTY.	SINGLE POLE	/	QTY.	DOUBLE POLE	LINK POWER
SS-	#	1P	/	#	2P	-LPS

SmartSwitch (SS) – followed by the number of 1P relays, a forward slash, and then the number of 2P relays. Examples:

SS-61P/62P – Six 20A Single Pole relays and six 20A Double Pole relays

SS-21P/102P – Two 20A Single Pole relays and ten 20A Double Pole relays

SS-121P/122P-LPS – Twelve 20A Single Pole Relays, Twelve 20A Double Pole Relays, and internal LinkPower Supply

SmartSwitch Accessories

SS-1PRK	SmartSwitch Single Pole Relay Kit
SS-2PRK	SmartSwitch Double Pole Relay Kit
SS-RMK	19" Rack Mount Kit for SmartSwitch
SS-VB	SmartSwitch Voltage Barrier Kit
SS-TPH	SmartSwitch Tamper-proof Hardware Kit with tool

SmartLink Accessories

S-ATC	SmartLink Astronomical TimeClock
S-10005	SmartLink 5-Button Station*
S-10010	SmartLink 10-Button Station*
S-LPS	LinkPower Supply Kit

\*Stations require one LinkPower Supply per system. Only one LinkPower Supply allowed per system. Four stations supported.



**SPECIFICATIONS**

**GENERAL**

- Approvals and Certifications:
  - Underwriters Laboratories tested and listed to the following standards:
    - UL508 (File: E92154)
    - UL924 (File: E242514)
  - Complies with ESTA DMX512-A Standard

**USER INTERFACE**

- Single high-contrast 20-character by 2-line backlit LCD configures and monitors both 24-relay subpanels
- 6-button menu-navigation keypad
- Power status indicator LED (blue)
- DMX status indicator LED (green)
- On/off status indicator for each relay

**MECHANICAL**

- Panel consists of enclosure, cover with locking door, and internal subpanels
- Enclosure
  - 16-gauge steel construction
  - Black, fine-textured, scratch-resistant paint
  - Removable conduit panels on top, bottom and sides
  - Full front access (side clearance not required)
- Cover & Door
  - Removable cover allow access to all AC and Class 2 wiring
  - Locking door allow controlled access to manual switch of each relay and Class 2 wiring only.
- Subpanel
  - Removable subpanel containing the electronics and relays can ship separately – contact ETC
  - All low-voltage wiring is physically separated from AC by a mechanical barrier

**ELECTRICAL**

- Single panel for up to 24 relays, populated in any combination of single-space, single or double pole
- Separate chambers for Class 1 and Class 2 wiring
- Optional Voltage Barriers install without tools between any relay for partitioning between multiple voltages and/or Emergency circuits

**CONTROL ELECTRONICS**

- Input: 120V or 277V (+/- 15%), 60Hz, >16 amps
- Dual-tap transformer primary screw terminals accept up to 12AWG wire
- Control Wiring
  - Easy-access flipdown door for all control wiring
  - Removable terminals for DMX512, SmartLink and UL924-listed Emergency Contact Input
  - Control terminals accept maximum of 12AWG wire
  - All control wiring exiting the enclosure is Class 2 – limited energy

**SPECIFICATIONS**

**RELAY RATINGS**

- 20A 300V General Purpose
- 20A 300V Ballast (HID)
- 2400W Tungsten @ 120V
- 0.5 HP @ 120V Motor Load
- 1.5 HP @ 240/277 Motor Load
- SCCR: 14,000A @ 120V and 277V
- Inrush: 2000A
- Isolation: 5000V RMS
- State: Latching
- Life: 60,000 cycles at full load
- Terminal: Accepts 12-14AWG copper wire

**THERMAL**

- Ambient operation temperature between 0°C (32°F) and 45°C (104°F)
- Humidity between 10-90% (non-condensing)
- Convection cooled

**PHYSICAL**

**SmartSwitch Relay Panel Dimensions**

MODEL	HEIGHT		WIDTH		DEPTH	
	inches	mm	inches	mm	inches	mm
SmartSwitch	26.25	622	17.00	432	6.3	161

**SmartSwitch Relay Panel Weights**

MODEL	WEIGHT		SHIPPING WEIGHT	
	lbs	kgs	lbs	kgs
SS-121P	29.80	13.51	31	14.06
SS241P	44.75	20.29	46	20.87

